

'BUNDED' STORAGE TANKS CUT COSTLY SITE WORK

Time consuming site construction work for the installation of tanks to store diesel fuel, white spirit and other **semi-hazardous** liquids is no longer a problem.

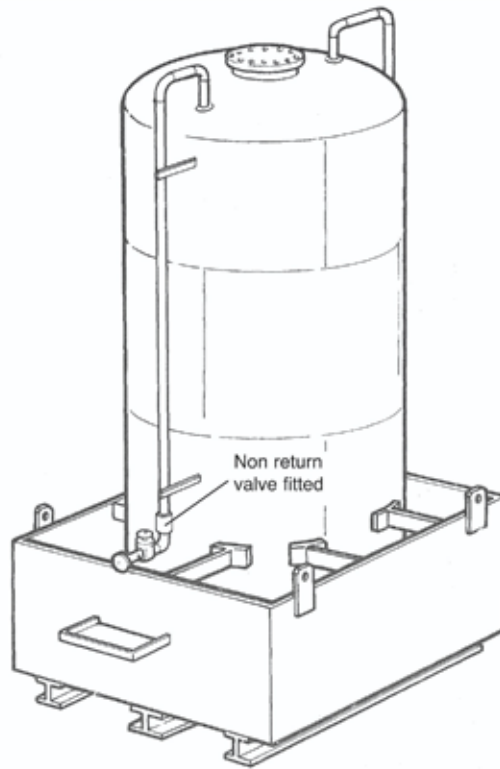
A tank-within-a-tank or 'Bunded Tank' by the Birmingham specialists, J A Envirotanks needs only a suitable hard standing. It has the very useful additional advantage of being portable from site to site and planning permission may not normally be required.

The new tank is available in a range of sizes from 1,000 litres up to 55,000 litres. The outer 'Bund' tank normally has a capacity of 110% compared with the inner tank to ensure any leakage is safely contained.

The complete package comprises the storage tank, fitted inside its 'Bund' tank, all ancillary pipework, valves, contents gauge, caps and lifting lugs. A dispensing pump and fuel monitoring equipment can also be fitted, if required, with all pipework connected and wired to the isolating switch. After connection to a mains supply the package is ready for use.

Fabricated from mild steel plate the tanks are protected by two coats of red oxide primer or a zinc alkyd primer and a coat of gloss finish paint for weatherproofing.

J A Envirotanks deliver the complete package as a unit to the customer's premises. If, at a later date, a new site for the 'Bunded Tank' is required it has only to be emptied of liquid, lifted onto a truck and transported to its new location.



Additional Fittings

- 50mm/65mm/80mm diameter fill pipe complete with valve and brass cap
 - Vent complete with bird guard
 - 25mm diameter draw off complete with valve and plug
 - 40mm diameter draw off complete with valve and plug
 - Hydrostatic contents gauge complete with Capillary tube and bracketed to the bund tank
 - *New commercial high speed fuel dispensing pump with 12 months warranty
 - *Low duty dispensing pump suitable for fork trucks, etc
 - *Highspeed new fuel dispensing pump complete with monitoring equipment recording the fuel allocated to each vehicle - 25 cards
 - Flowmeter fitted with manual nozzle (elevated tanks only) suitable for fork trucks
 - All electric pumps wired to firemans switch mounted on bund
- All pumps marked * are supplied with automatic cut off nozzle*

Ref.	Capacity Litres	Inner Tank Dia. mm	Inner Tank Height mm	Number of Tanks	Bund Length mm	Bund Width mm	Bund Height mm
B61	2270	1371	1752	1	1981	1981	686
B62	4545	1371	3276	1	1981	1981	1371
B63	6818	1828	2819	1	2286	2286	1524
B64	9120	1981	3276	1	2438	2438	1676
B65	11364	2134	3505	1	2591	2591	1828
B66	13638	2438	3124	1	2896	2896	1828
B67	18183	2743	3352	1	3200	3200	1981
B68	22730	3000	3505	1	3657	3505	1981

Tank and Bund from 6mm thick mild steel plate
All the above tanks are transported as one piece units (B61-B68)

Ref.	Capacity Litres	Inner Tank Dia. mm	Inner Tank Height mm	Number of Tanks	Bund Length mm	Bund Width mm	Bund Height mm
B69	27275	2743	5029	1	4114	3656	1981
B70	36368	2743	6477	1	3810	3656	2896
B71	45459	2743	8051	1	4724	3656	2896
B72	54551	2743	9753	1	5638	3656	2896
B73	68189	3000	10261	1	5638	3656	3656
B74	72735	2743	6477	2	7010	3656	1981
B75	90919	2743	8051	2	8382	3656	1981
B76	109103	2743	9753	2	9753	3656	1981
B77	136379	3000	10261	2	12115	3656	1981

Tank and Bund from 6mm thick mild steel plate
All the above tanks are transported as separate units to be bolted together at site (B69-B77)