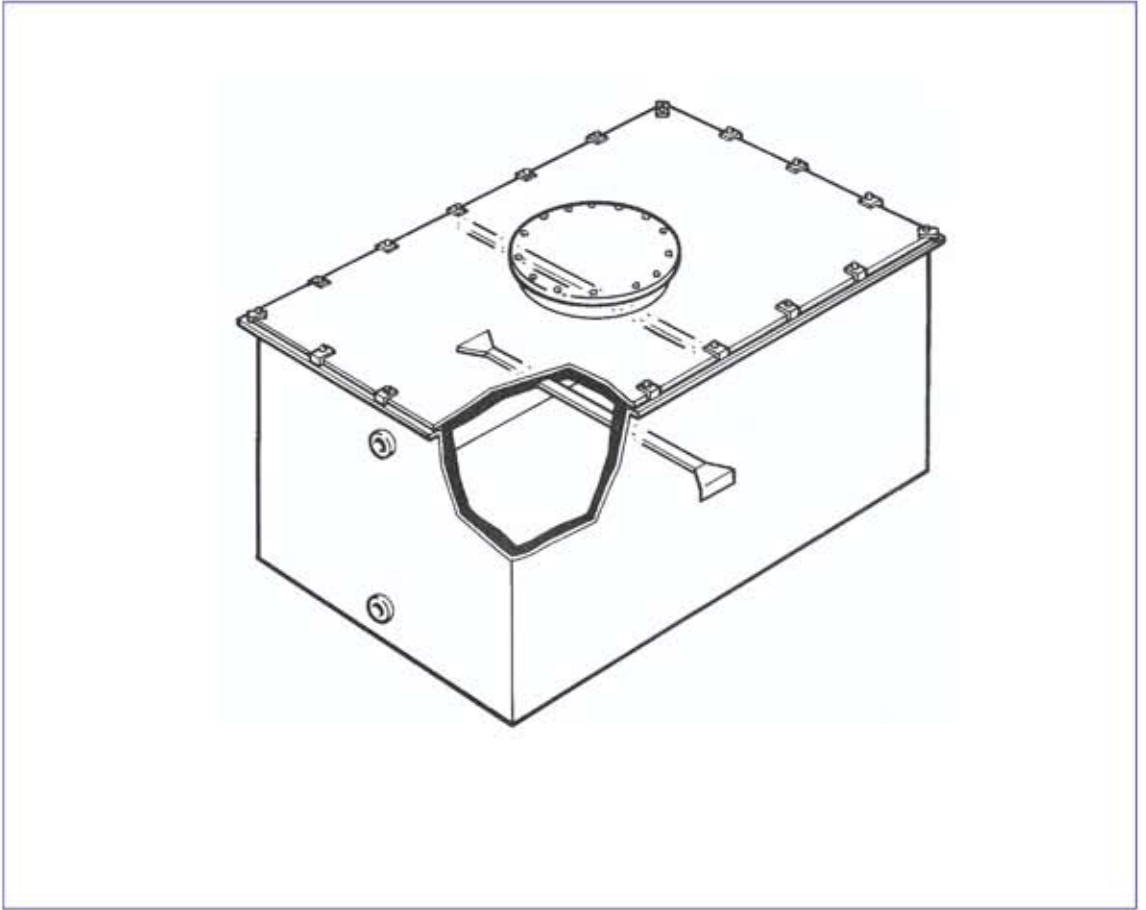


For Welded Top Tanks see page 15



Galvanised Bolted Top Tanks
Suitable for Potable

Dimensions and Capacities

Cat No.	Nom. Capacity litres	Dimensions			Capacity at Water Line litres	Plate Thick mm	Cover Thick mm	Weight (Inc. cover) kg
		Length mm	Width mm	Depth mm				
001	450	1219	610	610	327	2.0	2.0	116
002	570	965	762	787	423	2.5	2.5	143
003	680	1092	864	736	491	2.5	2.5	160
004	910	1168	889	889	709	2.5	2.5	182
005	1130	1524	914	813	841	2.5	2.5	210
006	1591	1524	1143	914	1227	3.0	3.0	290
007	2273	1829	1219	1016	1727	3.0	3.0	354
008	2728	1829	1219	1219	2137	3.0	3.0	385
009	3637	2438	1219	1219	2664	5.0	5.0	712
010	4546	2438	1524	1219	3364	5.0	5.0	810
011	5682	3048	1524	1219	4200	5.0	5.0	965
012	6819	3048	1524	1524	5910	5.0	5.0	1080