

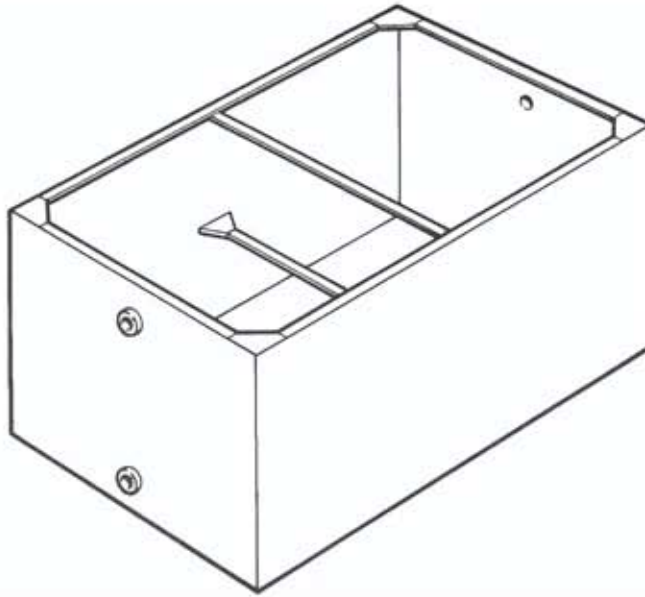
BS 417: Grade 'A'

All welded and reinforced tops, corner plates and stayed as necessary.

Galvanised after manufacture in accordance with BS EN 1461.

Sockets, Stooled Flanges and Lifting Lugs can be supplied.

Painted internally black non-toxic, if required.



Dimensions and Capacities

Cat No	BS417 Ref	Dimensions			Capacity at Water Line litres	Plate Thick mm	Cover Thick mm	Weight (Inc. cover) kg
		Length mm	Width mm	Depth mm				
G01	SCM 45	457	305	305	18	1.6	0.9	13
G02	SCM 90	610	406	381	54	1.6	0.9	20
G03	SCM 110	610	432	432	68	1.6	0.9	23
G04	SCM 135	610	457	482	86	1.6	0.9	26
G05	SCM 180	686	508	508	114	1.6	0.9	30
G06	SCM 230	736	559	559	159	2.0	0.9	35
G07	SCM 270	762	584	610	191	2.0	0.9	40
G08	SCM 320	914	610	584	227	2.0	0.9	45
G09	SCM 360	914	660	610	264	2.0	0.9	48
G10	SCM 450	1219	610	610	327	2.0	1.2	54
G11	SCM 570	965	762	787	423	2.5	1.2	78
G12	SCM 680	1092	864	736	491	2.5	1.2	86
G13	SCM 910	1168	889	889	709	2.5	1.2	104
G14	SCM 1130	1524	914	813	841	2.5	1.6	120
G15	SCM 1600	1524	1143	914	1227	3.0	1.6	184
G16	SCM 2270	1829	1219	1016	1727	3.0	1.6	241
G17	SCM 2720	1829	1219	1219	2137	3.0	1.6	272
G18	3640	2438	1219	1219	2664	5.0	1.6	498
G19	SCM 4540	2438	1524	1219	3364	5.0	1.6	560
G20	5680	3048	1524	1219	4200	5.0	1.6	683
G21	6820	3048	1524	1524	5910	5.0	1.6	852
G22	9090	3048	2438	1219	7200	5.0	2.0	964
G23	11360	3048	2438	1524	9474	5.0	2.0	1071
G24	13640	3658	2438	1524	11365	6.0	2.0	1644
G25	18180	4877	2438	1524	14547	6.0	2.0	1824
G26	22730	4877	3048	1524	18184	6.0	2.0	2090
G27	27270	4877	3658	1524	21602	6.0	2.0	2345
G28	31820	4877	3658	1829	26148	6.0	2.0	2600
G29	34090	4877	3658	1981	30694	6.0	2.0	2730

U2

enviro tanks

Galvanised
Open Top Tanks