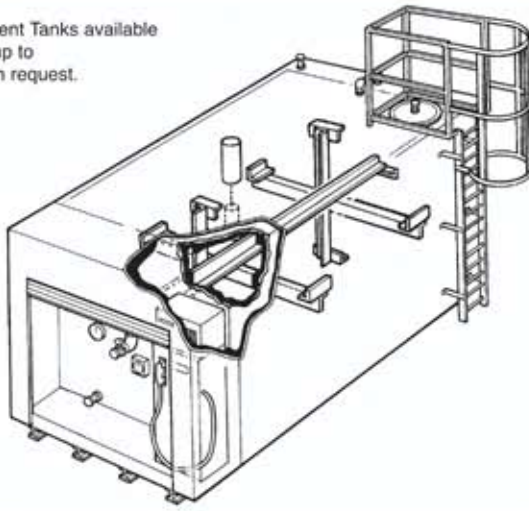


Multi Compartment Tanks available
Maximum size up to
140,000 litres on request.



Galvanised ladder and platform optional

The 'ENVIROTANK' is an inner storage tank, externally encased within an outer weatherproof bund to ensure any leakage or nominal overflow situation is safely contained.

The ENVIROTANK is easily transportable as a one-piece unit and reduces costly and time consuming site work.

The ENVIROTANK is delivered by JA Envirotanks transport to the customers premises. If at a later date a new site for the ENVIROTANK is required it only has to be emptied of contents, cleaned internally, uplifted and transported to its new location.

Advantages

- Weatherproof.
- Space saving.
- Reduced maintenance costs.
- Enclosed bunded tank.
- Cuts costly site work.
- Needs only suitable hard standing.
- Easily transportable.
- Overfilled product can be re-used.
- Sizes/capacity to suit most situations.
- Finished in green or black oil resistant paint.
- Clients own in-house colours can be accommodated on request.
- Offloading and positioning facilities available if required.
- The optional security cabinet will extend the overall length of the unit by 750mm.

Ref	Capacity Nom/Litres	Length (Excluding Cabinet) mm	Width mm	Height mm	Approx. Weight Kg.
E61	2273	1753	1190	1220	1118
E62	2727	2104	1190	1220	1270
E63	2841	2192	1190	1220	1296
E64	2954	2274	1190	1220	1348
E65	3409	2631	1190	1220	1500
E66	3636	2806	1190	1220	1576
E67	4546	2792	1495	1220	1800
E68	4546	3507	1190	1220	1880
E69	5682	2792	1495	1525	1880
E70	5682	3490	1495	1220	2102
E71	6819	3351	1495	1525	2408
E72	7955	2704	1800	1830	2510
E73	9091	3466	2398	1220	2952
E74	9091	2772	2398	1525	2816
E75	11364	3465	2398	1525	3278
E76	13637	4159	2398	1525	3854
E77	13637	3466	2398	1830	3650
E78	18183	3696	3008	1830	4486
E79	22729	4610	3008	1830	5506
E80	27275	5532	3008	1830	6102
E81	31821	6454	3008	1830	6694
E82	36367	7376	3008	1830	7550
E83	40913	8298	3008	1830	8282
E84	45459	9220	3008	1830	9524
E85	54550	11064	3008	1830	10150
E60	80000	10261	3008	3048	14000
E86	100000	12830	3008	3048	16918
E99	120000	12870	3008	3650	19295
E00	140000	12500	3618	3650	22445

Additional Fittings

- 50mm, 65mm or 80mm fill pipe c/w valves, tanker coupling and cap.
- Venting assembly sized to suit.
- Sludge drain pipe.
- 40mm outlet pipe with valve.
- Electric bund monitoring with alarm.
- Contents gauge in litres.
- Overfill alarm and/or overfill prevention valve.
- Dipstick, dip pipe, cap and chain.
- Dispensing pumps with safety break couplings and automatic nozzle. (3m hose supplied)
- Fuel monitoring systems.
- Optional galvanised ladder and platform.
- Optional distribution board and lighting.
- Optional security cabinet with aluminium roller shutter door and steel doors.

JA
envirotanks

'EnviroTank' Rectangular Aboveground
Enclosed Bunded Storage Tank